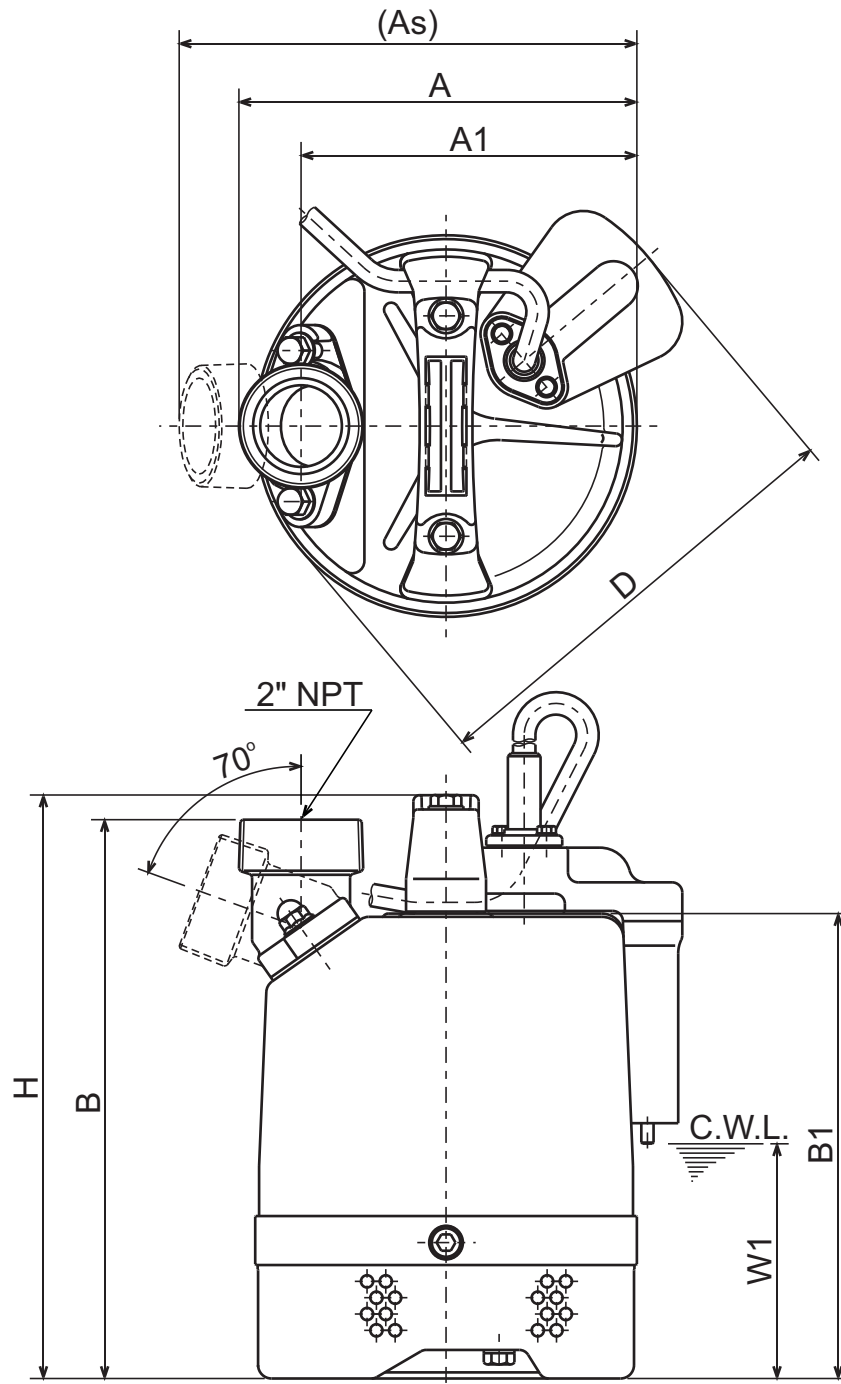




LB - SERIES
SEMI-VORTEX - DEWATERING PUMP (AUTO-TYPE)

DIMENSIONS

LB-480A-62



C.W.L. : Continuous running Water Level

DIMENSIONS:USCS (Inch)

Model	HP	NOM. SIZE	Pump & Motor							C.W.L. W1	Wt. (lbs.)
			A	As	A1	B	B1	D	H		
LB-480A-62	2/3	2"	7 11/16	8 13/16	6 1/2	10 3/4	8 15/16	8 3/4	11 1/4	4 1/2	22

DIMENSIONS:METRIC (mm)

Model	kW	NOM. SIZE	Pump & Motor							C.W.L. W1	Wt. (kg)
			A	As	A1	B	B1	D	H		
LB-480A-62	0.48	50	195	224	165	274	228	223	286	115	10.0